

KINCROME

EVOLUTION

Tool Chest

8 Drawer Deep/Wide
1042mm (41")

K7948

Operation Manual



IMPORTANT:

This operating manual contains important safety information, read carefully & understand all information before operating the chest. Save this manual for future use.



Do not open more than one drawer at a time.



Do not step on drawers.



Do not let children near the Toolbox.



Do not separate Chest from Trolley.



Do not exceed Drawer Load Limit



Not suitable for mounting in Vehicles



Lock drawers and lid before moving the Toolbox.



WARNING

Parts List



Measurements:

Weight: 51kg

WIDTH	1042 mm	DEPTH	455 mm	HEIGHT	488 mm
--------------	---------	--------------	--------	---------------	--------

Measurements - Top Tray

WIDTH	1042 mm	DEPTH	445 mm	HEIGHT	50 mm
--------------	---------	--------------	--------	---------------	-------

Small Shallow Drawers

WIDTH	560 mm	DEPTH	405 mm	HEIGHT	45 mm
--------------	--------	--------------	--------	---------------	-------

Small Deep Drawers

WIDTH	316 mm	DEPTH	405 mm	HEIGHT	104 mm
--------------	--------	--------------	--------	---------------	--------

Large Deep Drawers

WIDTH	560 mm	DEPTH	405 mm	HEIGHT	104 mm
--------------	--------	--------------	--------	---------------	--------

Maintenance

- Periodically tighten all hardware
- Lubricate the slides twice a year
- Lubricate the lock with graphite annually
- Use a damp Microfibre cloth to clean all surfaces

**Tools & Assistance
Required for Trolley:**

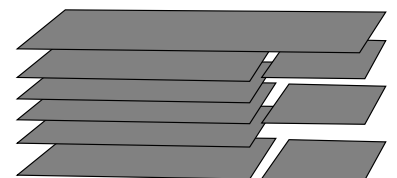


2 People

Included



Keys x 2



9 x Liners

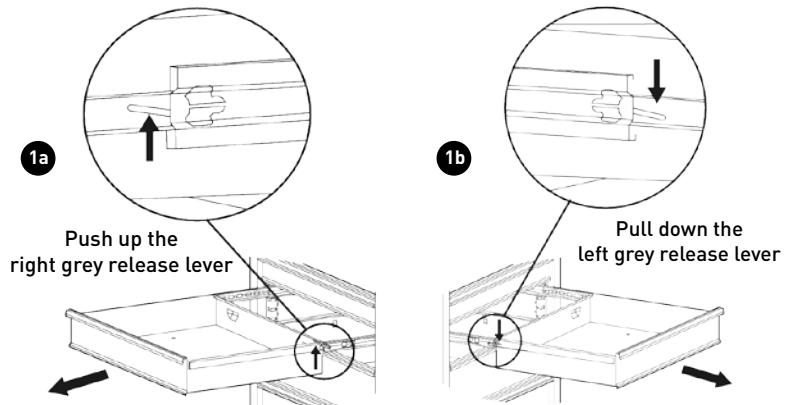
Tool Chest 8 Drawer Deep/Wide 1042mm (41")

K7948

Maintenance

1 Removing the Drawers

- Fully extend the empty drawer.
- Push up the right grey release lever while pushing down the left grey release lever.
- Pull the drawer outward until it is released from the drawer slide.



2 Re-Inserting The Drawers

- Extend the drawer slides.
- Insert the brackets on each side of the drawer into the slots on the slides, being careful that they are properly positioned.
- Once properly inserted, completely close the drawer to set the slides in their proper positions.

Parts List



Spare Parts

ITEM	PART NO.	DESCRIPTION	QUANTITY
1	K7999-1	Lock & Key	1
2	K7999-2	Key Only (Specify Key Number)	1
3	K7999-7	Gas Struts (Pair)	1

ITEM	PART NO.	DESCRIPTION	QUANTITY
4	K7999-8	Ball Bearing Slide (Pair)	8
5	K7999-5	Side Carry Handle x 1	2
6	K7999-25	Eva Mat Pack 9 Pce	1

National Head Office
National Distribution and Showroom
3 Lakeview Dve, Caribbean Business Park
Scoresby Victoria 3179 Australia
ABN 41 007 185 006

Administration
T (03) 9730 7100 F (03) 9730 7199
E enquiries@kincrome.com.au
W kincrome.com.au

Customer Service Centre
T 1300 657 528 F 1300 556 005

Made to Kincrome Tools & Equipment Pty Ltd Global specifications and quality standards in China
Kincrome UK Ltd PO Box 468 Southampton SO30 9EP

Australia & Global	UK & EU
www.kincrome.com.au	www.kincrome.co.uk
enquiries@kincrome.com.au	enquiries@kincrome.co.uk